

15

1503 30

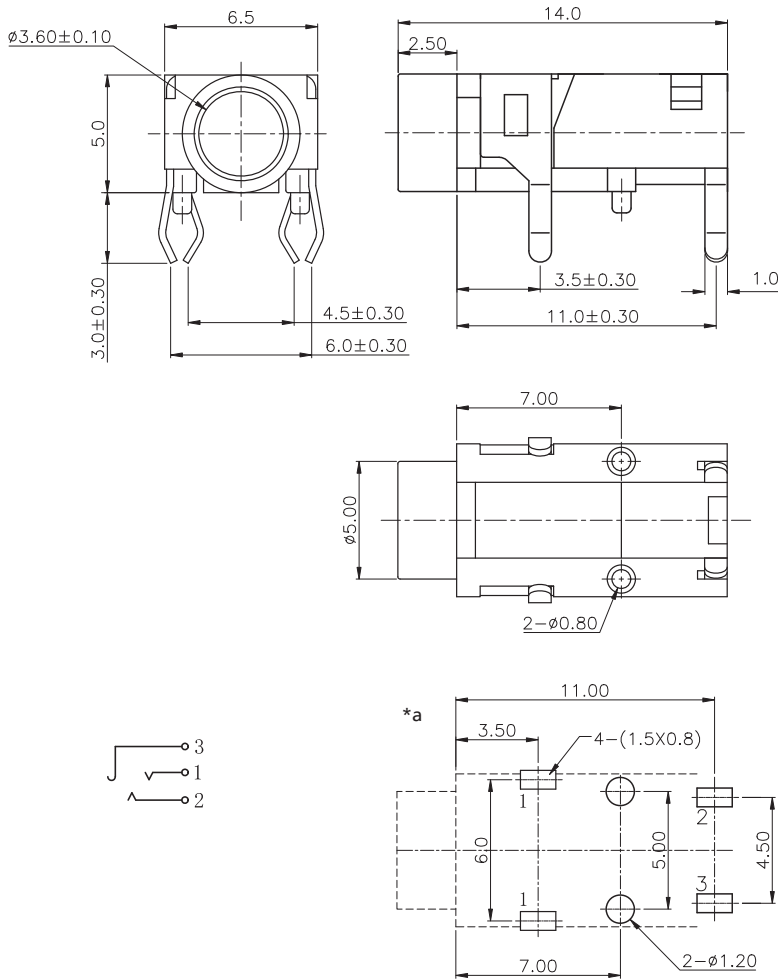
## Jack connectors



Jack chassis socket acc. to JIS C 6560 JC35J3A, 3.5 mm, 3 poles/stereo, angular version, for printed circuit boards

15

1503 30



#### Environmental conditions

Temperature range -20 °C/+70 °C

#### Materials

Insulating body PBT, V0 according to UL94  
Contact spring CuSn/CuZn, silver-plated

#### Mechanical data

Mating cycles 5000  
Insertion force 3–30 N<sup>1</sup>  
Withdrawal force 3–30 N<sup>1</sup>

<sup>1</sup> measured with a gauge plug

#### Electrical data (at T<sub>amb</sub> 20 °C)

Contact resistance ≤ 30 mΩ  
Rated current 1 A  
Rated voltage 34 V  
Rated impulse voltage 500 V/60 s  
Insulation resistance ≥ 100 MΩ

#### Associated products

Counterparts  
 1532 07       KLS 40       KLS 44  
 WKLS 40

\*a printed circuit board layout, components side view

15

1503 30

Designation	Pole Number	PU (Pieces)	MDQ (Pieces)
1503 30	3	500	1000

**Packaging:**

in bulk, in a cardboard box or a plastic bag